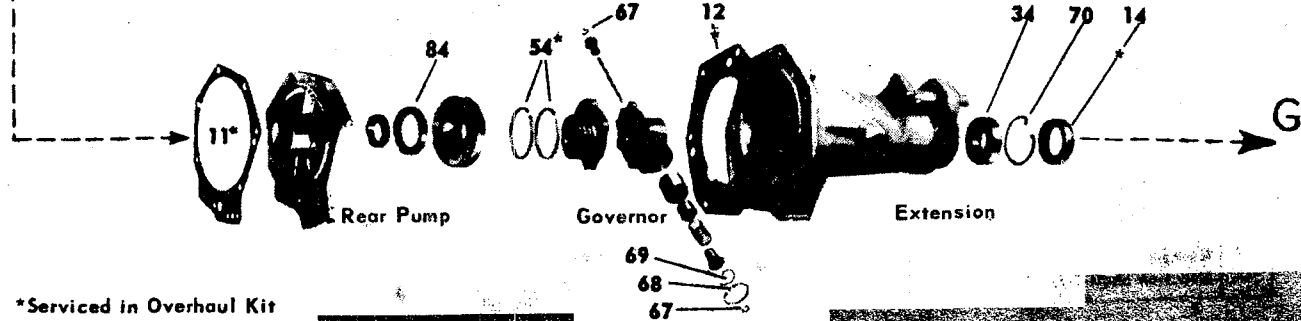
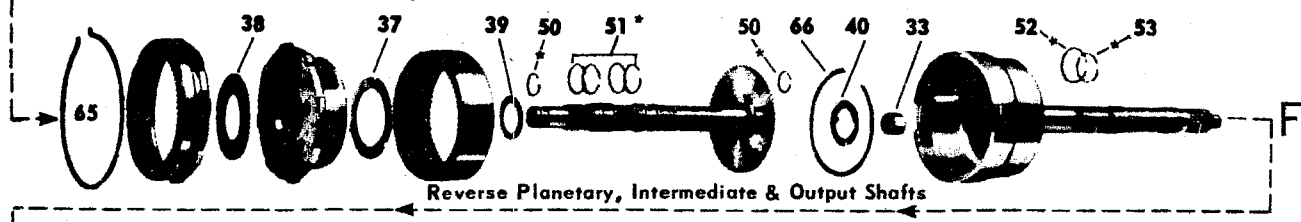
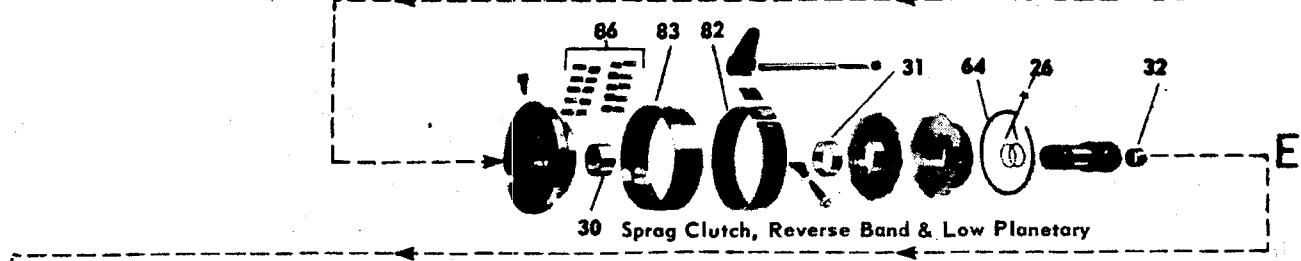
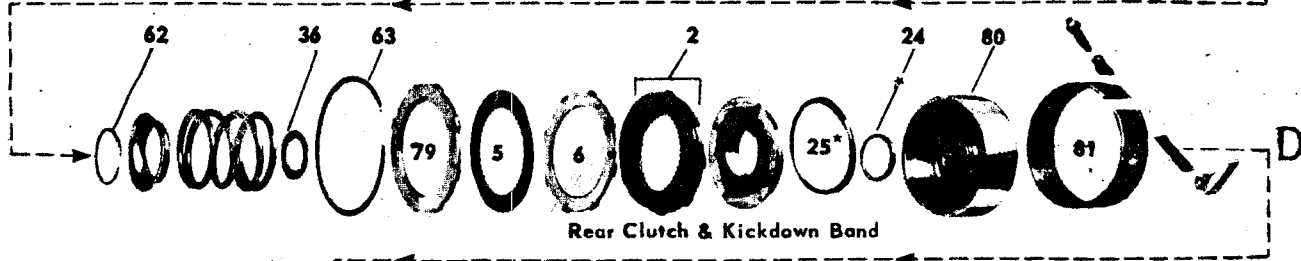
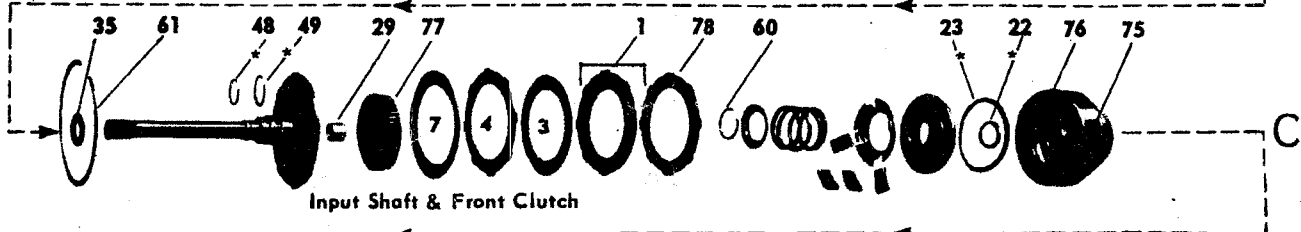
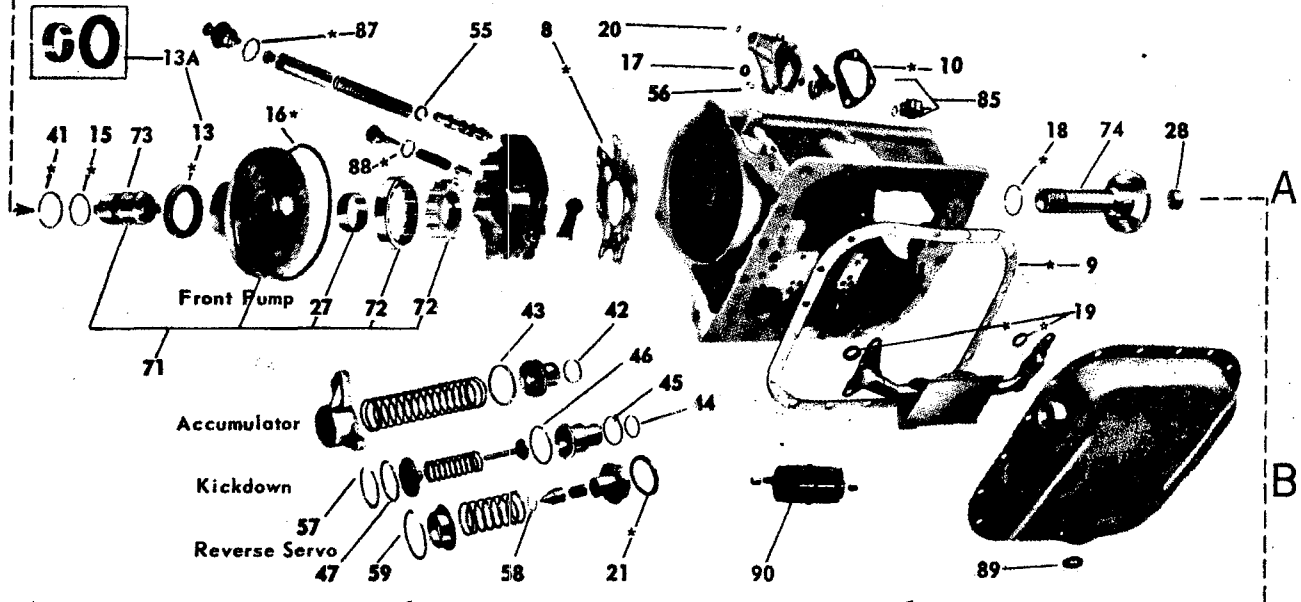


TORQUEFLITE 8 - Cast Iron Case



*Serviced in Overhaul Kit

ILL. NO.	DESCRIPTION	APPLICATION	QTY. REQ.	PART NO.	ILL. NO.	DESCRIPTION	APPLICATION	QTY. REQ.	PART NO.	
CLUTCH PLATES AND KITS					OIL SEALING RINGS AND KITS					
1C	FRONT CLUTCH PLATE KIT	1956-61	1	PQ1963X		COMPLETE SEALING RING KIT	1958-61	1	SQ1340X	
2D	REAR CLUTCH PLATE KIT	1956-61	1	PQ1965X		COMPLETE SEALING RING KIT	1956-57	1	SQ1330X	
3C	Front, Friction .060 - .063	1956-61	4	PQ1971		SERVO PISTON SEAL RING KIT	1958-61	1	SQ1342X	
3C	Front, Friction .073 - .076	1956-61	AR	PQ1970		SERVO PISTON SEAL RING KIT	1956-57	1	SQ1341X	
3C	Front, Friction .087 - .090	1956-61	AR	PQ1969		SHAFT & GOVERNOR SEAL RING KIT	1956-61	1	SQ1339X	
4C	Front, Steel	1956-61	3	PQ1225	41A	Front Pump Drive Sleeve	1.875 Butt	1956-61	1	SP1481
5D	Rear Clutch, Friction	1956-61	5	PQ1214	42B	Accumulator Piston, Small	1.250 Lock	1957-61	1	SP381
6D	Rear Clutch, Steel	1956-61	5	PQ1225	42B	Accumulator Piston, Small	1.000 Lock	1956-57	1	SQ1335
7C	Front, Cushion Spring	1959-61	1	PQ1389	43B	Accumulator Piston, Large	2.000 Butt	1956-61	1	SQ1976
7C	Front, Cushion Spring	1957-58	1	PQ701	44B	Kickdown Piston, Small	1.625 Lock	1956-61	1	SQ1327
7C	Front, Cushion Spring Plate	1959-61	1	PQ1388	45B	Kickdown Piston, Medium	2.125 Lock	1957-61	1	SQ1334
7C	Front, Cushion Spring Plate	1957-58	1	PQ702	45B	Kickdown Piston, Medium	2.438 Lock	1956-57	1	SP379
OVERHAUL KITS - GASKET SETS & GASKETS					RETAINING SNAP RINGS					
	OVERHAUL KIT	1959-61	1	GQ2009X		COMPLETE SNAP RING KIT	1956-61	1	SQ850X	
	OVERHAUL KIT	1956-58	1	GQ3704X	55A	Shuttle Valve		1959-61	1	SQ1988
	GASKET AND SEAL KIT	1959-61	1	TQ-I	56A	Throttle Valve Lever Shaft		1959-61	1	SQ1988
	Gasket Set, Inspection	1956-58	1	TQ-I	56A	Throttle Valve Lever Shaft		1957-59	1	SQ1371
	Gasket Set, Inspection	1959-61	1	GQ3705X	57B	Kickdown Piston Guide Rod		1957-61	1	SQ1463
	Gasket Set, Inspection	1956-58	1	GQ649X	57B	Kickdown Piston Guide Rod		1956-57	1	SP1365
	Gasket Set, Clutch and Input Shaft	1956-61	1	GQ3703X	58B	Reverse Servo Piston Plug		1957-61	1	SP1366
	Gasket Set, Front Pump	1956-61	1	GQ3611X	58B	Reverse Servo Piston Plug		1956-57	1	SP789
	Gasket Set, Rear Pump	1959-61	1	GQ2252X	59B	Reverse Servo Spring Retainer		1956-61	1	SP1365
	Gasket Set, Rear Pump	1956-58	1	GQ517X	60C	Front Clutch Piston Return Spring		1956-61	1	SQ1360
8A	Regulator Valve Body	1956-61	1	GQ682	61C	Front Clutch	.060	1956-61	1	SQ1361
9A	Oil Pan (Vellumoid)	1956-61	1	GQ586	61C	Front Clutch	.064	1956-61	1	SQ1362
9A	Oil Pan (Cork)	1956-61	1	GQ646	61C	Front Clutch	.068	1960-61	1	SQ1364
10A	Cable Adapter (Gearshift Buttons)	1956-59	1	GQ1286	62D	Rear Clutch Piston Return Spring		1956-61	1	SQ1363
11G	Output Shaft Support	1959-61	1	GQ674	63D	Rear Clutch	.060	1956-61	1	SQ1361
11G	Output Shaft Support	1956-58	1	GQ684	63D	Rear Clutch	.064	1956-61	1	SQ1362
12G	Extension Housing	1956-61	1	GQ693	63D	Rear Clutch	.068	1960-61	1	SQ1364
OIL SEAL ASSEMBLIES - METAL BEADED					HARD PARTS					
	SEAL-UP KIT	1959-61	1	RQ3680X	71A	Front Oil Pump Assembly With Sleeve		1956-61	1	88424Q
	SEAL-UP KIT	1956-58	1	RQ3681X	71A	Front Oil Pump Assembly Without Sleeve		1956-61	1	88431Q
13AA	CONVERTER HUB SLEEVE & SEAL KIT	1956-61	1	33029Q	72A	FRONT PUMP ROTOR GEAR KIT		1958-61	1	88292QX
13A	Front Pump (Red Silicone)	1956-61	1	RP506	73A	Sleeve, Front Pump Drive		1957-61	1	HQ2860
14G	Extension Housing	1959-61	1	RQ470	73A	Sleeve, Front Pump Drive		1956-57	1	HQ3141
14G	Extension Housing	1956-58	1	RP488	74A	Reaction Shaft		1956-61	1	88291Q
RUBBER OIL SEALS AND KITS					COMPLETE REBUILDING KITS & MISC. PARTS					
	CLUTCH PISTON SEAL KIT	1956-61	1	OQ1955X		COMPLETE REBUILDING KIT	1959-61	1	TQ5065X	
15A	Front Pump Drive Sleeve	1956-61	1	OP685		COMPLETE REBUILDING KIT	1956-58	1	TQ5066X	
16A	Front Pump Housing	1956-61	1	OP359	85A	Neutral Starter Switch Package		1956-61	1	MP1459X
17A	Throttle Lever Shaft	1956-61	1	OQ1884	86E	Overrunning Clutch Roller and Spring Kit		1956-61	1	MQ2217X
18A	Reaction Shaft	1956-61	1	OQ681	87A	Control Valve Retainer (Alum. Washer)		1956-61	1	MP679
19A	Oil Strainer Tube	1956-61	2	OP1543	88A	Reg. Valve Spring Ret. (Copper Washer)		1956-61	1	MP680
20A	Cable (On Transmission)	1959-61	1	OQ3505	89B	Drain Plug Gasket		1956	1	22504Q
21B	Reverse Servo Piston	1956-61	1	OP520	90B	COOLER LINE FILTER KIT		1956-61	1	88556XX
22C	Front Clutch Piston (Inner)	1956-61	1	OQ687						
23C	Front Clutch Piston (Outer)	1956-61	1	OQ686						
24D	Rear Clutch Piston (Inner)	1956-61	1	OQ688						
25D	Rear Clutch Piston (Outer)	1956-61	1	OQ689						
26E	Rear Clutch Sun Gear	1956-61	2	OQ1326						
BUSHINGS AND ASSORTMENTS					COMPLETE REBUILDING KITS & MISC. PARTS					
	BUSHING ASSORTMENT	1959-61	1	BQ2003X		COMPLETE REBUILDING KIT	1959-61	1	TQ5065X	
	BUSHING ASSORTMENT	1956-58	1	BQ2002X		COMPLETE REBUILDING KIT	1956-58	1	TQ5066X	
27A	Front Oil Pump Housing	1956-61	1	BQ1999	85A	Neutral Starter Switch Package		1956-61	1	MP1459X
28A	Reaction Shaft	1959-61	1	BQ2000	86E	Overrunning Clutch Roller and Spring Kit		1956-61	1	MQ2217X
29C	Input Shaft 1.060" long	1956-61	1	BQ259	87A	Control Valve Retainer (Alum. Washer)		1956-61	1	MP679
29C	Input Shaft 1.620" long	1956-61	1	BQ2001	88A	Reg. Valve Spring Ret. (Copper Washer)		1956-61	1	MP680
30E	Intermediate Support	1956-61	1	BQ199	89B	Drain Plug Gasket		1956	1	22504Q
31E	Overrunning Clutch Hub	1956-61	1	BQ197	90B	COOLER LINE FILTER KIT		1956-61	1	88556XX
32E	Reverse Sun Gear	1956-61	1	BQ198						
33F	Output Shaft	1956-61	1	BQ196						
34G	Extension Housing Bushing	1959-61	1	BQ1995						
34G	Extension Housing Bushing	1956-58	1	BP2227						
THRUST WASHERS AND ASSORTMENTS					COMPLETE REBUILDING KITS & MISC. PARTS					
	INPUT SHAFT SELECTIVE WASHER KIT	1956-61	1	WQ2278X		COMPLETE REBUILDING KIT	1959-61	1	TQ5065X	
	THRUST WASHER KIT (Less Selectives)	1956-61	1	WQ5067X		COMPLETE REBUILDING KIT	1956-58	1	TQ5066X	
N.I.	Torque Converter (Front & Rear)	1956-59	2	WP247	85A	Neutral Starter Switch Package		1956-61	1	MP1459X
35C	Input Shaft .059	1956-61	1	WQ1462	86E	Overrunning Clutch Roller and Spring Kit		1956-61	1	MQ2217X
35C	Input Shaft .078	1956-61	1	WQ1461	87A	Control Valve Retainer (Alum. Washer)		1956-61	1	MP679
35C	Input Shaft .097	1956-61	1	WQ1460	88A	Reg. Valve Spring Ret. (Copper Washer)		1956-61	1	MP680
35C	Input Shaft .115	1956-57	1	WQ1541	89B	Drain Plug Gasket		1956	1	22504Q
36D	Front Clutch Sun Gear	1956-61	1	WQ1266	90B	COOLER LINE FILTER KIT		1956-61	1	88556XX
37F	Kickdown Carrier	1956-61	1	WQ1267						
38F	Kickdown Carrier Thrust Plate	1957-61	1	WQ2065						
39F	Sun Gear Needle Bearing	1956-61	1	WQ1851						
40F	Output Shaft Support 4 tabs	1959-61	1	WQ1997						
40F	Output Shaft 2 tabs	1956-61	1	WQ1266						